

# 60" HIGH SINGLE TIER GEN2 LOCKER

TYPICAL FOR 09", 12", 15, 21 & 24" WIDE

TYPICAL FOR 12", 15", 18", 21" & 24" DEEP

ALUMINUM NUMBER PLATE  
(FIELD INSTALL)

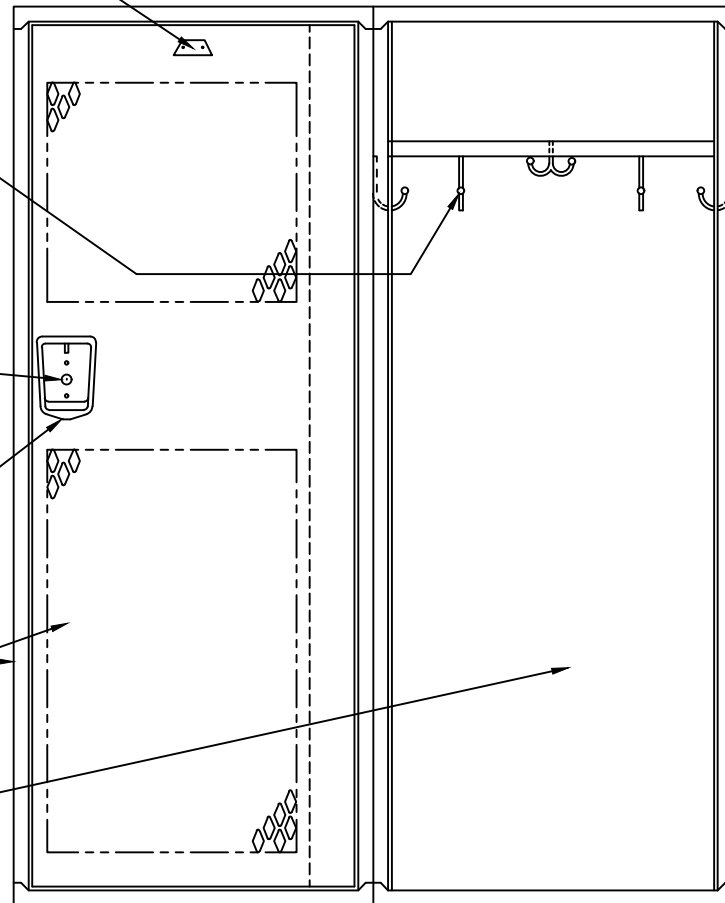
FOUR SINGLE PRONG WALL  
ONE DOUBLE PRONG WALL  
HOOKS EACH OPENING  
(FIELD INSTALL)

LOCK HOLE COVER PLATE  
(FIELD INSTALL)

STAINLESS STEEL RECESSED  
HANDLE W/ PADLOCK EYE

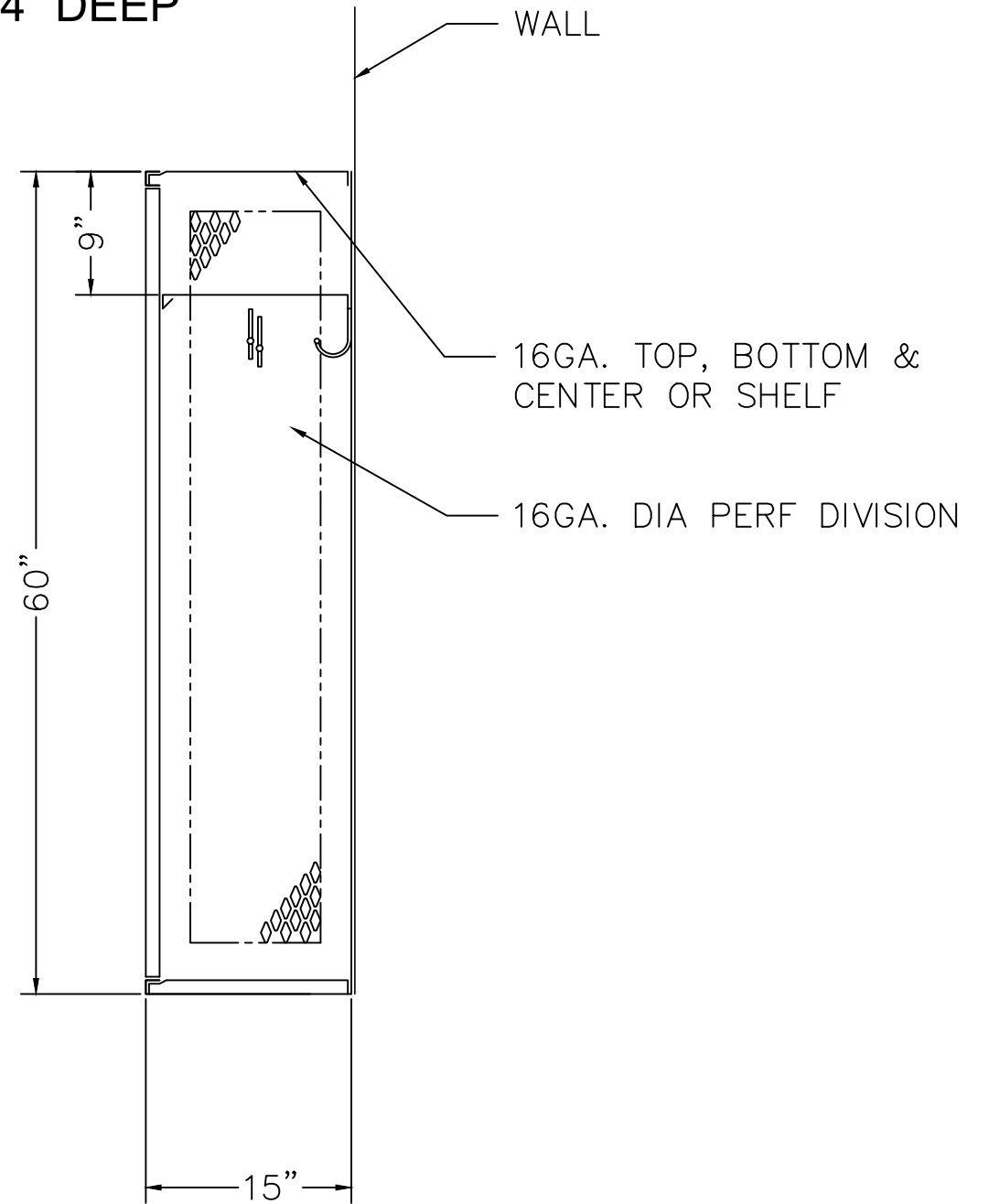
16GA. FRAME ASSEMBLY &  
14GA. DIAMOND DOOR W/PAN

16GA. SOLID BACK



24 1/16"

LOCKER ELEVATION



LOCKER SECTION

## TYPE A 24" x 15" x 60" SINGLE TIER, GEN2 REC. HANDLE LOCKER

ALLOW 1/16" CREEPAGE PER FRAME